

**HARTMANN**



Helps. Cares. Protects.

# HARTMANN Dispenser Range Overview

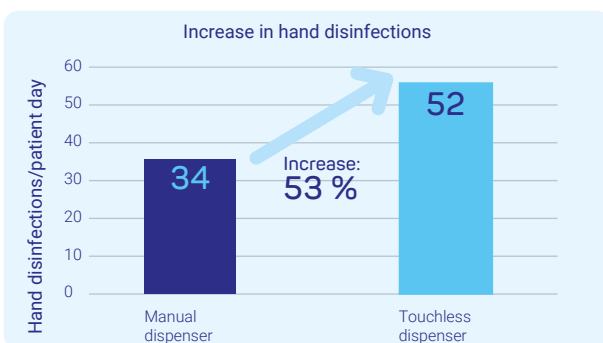




# The right dispenser for every application

The availability of hand disinfectants is one basic requirement of hand disinfection. Key factors include the number of dispensers and their correct placement. Dispensers ensure the availability of hand disinfectants, their hygienic dispensing and correct application.

## Touchless dispensers increase hand hygiene



The use of touchless hand disinfectant dispensers led to an increase in the number of hand disinfections in an observational study [1]. After replacing manual dispensers with touchless dispensers with sensor technology, the number of hand disinfections in an intensive care unit increased on average by 53 per cent. The result was not due to a short-lived interest in the technology but remained constant during the observation period of 12 weeks.

Reference:  
1 Scheithauer S. *et al.* (2011) *Hyg Med* 36 (12): 496-498.

HSB2\_024EN\_D0821\_1

## Proper dispenser placement increases compliance

Wide availability of hand disinfectants is a requirement for optimal hand hygiene compliance [1]. A proper dispenser infrastructure for optimization of hand hygiene behaviour is part of the multi modal intervention campaign by WHO [3]. The recommended minimum requirements by German KRINKO guideline are one dispenser per two patient beds in normal wards and one dispenser per patient bed in intensive care units [2]. Beyond availability, it is important to consider the right location – for example right at the point of care – in order to improve hand hygiene compliance [1]. Consequently, the dispenser locations should imperatively be linked to the “5 Moments of Hand Hygiene”:

- 1 Chan B et al. (2013) Effect of Varying the Number and Location of Alcohol-Based Hand Rub Dispensers on Usage in a General Inpatient Medical Unit. *Infect Control Hosp Epidemiol*, 34 (9): 987-989.
- 2 KRINKO (2016) Händehygiene in Einrichtungen des Gesundheitswesens. *Bundesgesundheitsbl* 59:1189-1220.
- 3 WHO (2009) WHO Guidelines on Hand Hygiene in Health Care. World Health Organization.

### Dispenser positioning on the basis of the 5 Moments

#### Before patient contact

- right at the patient bed (between beds in shared rooms)
- on ward and dressing trolleys
- in patient rooms (next to the door)

#### Before an aseptic task

- right at the patient bed (between beds in shared rooms)
- in nursing stations
- in treatment rooms
- in laboratories

#### After body fluid exposure risk

- right at the patient bed (between beds in shared rooms)
- on ward and dressing trolleys
- in treatment rooms

#### After patient contact

- right at the patient bed (between beds in shared rooms)
- in patient rooms (next to the door)
- in treatment rooms

#### After touching patient surroundings

- right at the patient bed (between beds in shared rooms)
- on ward and dressing trolleys



## Product Range

### Dispenser

Dispenser	metal dispenser	plastic dispenser for use with liquids	for use with gels	for use with soaps	for use with lotions	metal parts autoclavable	suitable for ...	... 350 ml BODE bottles	... 500 ml BODE bottles	... 1000 ml BODE bottles	available spare parts and accessories	replacement pump	single-use pump	locking device	drop catcher
<b>BODE Eurodispenser 1 plus</b>	•	•	•	•	•	•	•	•	•	•	•	•	•	•	•
<b>BODE Eurodispenser 1 plus Touchless</b>	•	•	•	•	•	•	•	•	•	•	•	•	•	•	•
<b>Eurodispenser Safety plus</b>		•	•	•	•				•	•			•	•	•
<b>Eurodispenser RX5 Touchless</b>		•	•	•	•				•			•			•
<b>CleanSafe touchless/CleanSafe basic</b>		•	•	•	•					•*			•	•	•
<b>CleanSafe extra touchless/CleanSafe extra</b>	•	•	•	•	•					•*			•	•	
<b>BODE Eurodispenser 2</b>	•	•	•	•	•	•			•	•			•		
<b>BODE Eurodispenser 3</b>	•	•	•	•	•	•			•	•			•		•
<b>Eurodispenser 3 flex</b>	•	•	•	•	•	•			•	•			•		•
<b>BODE Wallholder</b>		•	•	•	•				•	•			•		
<b>Wallholder PLUS</b>		•	•	•	•	•		•	•				•		•
<b>Dispenser Tower</b>	•	•	•	•					•	•			•	•	

\* CleanSafe bottle

# BODE Eurodispenser 1 plus

For the application of hand disinfectants, wash and skin care lotions

## Characteristics

- easy pump exchange through removal from the front
- reliable, robust metal dispenser
- easy installation even with limited space
- all standard bottles insertable
- simple and fast bottle exchange
- easy handling and cleaning
- dosing amount adjustable to approx. 0.75 to 1.5 ml per actuation
- dispenser is available in signal colour red
- delivery includes mounting parts, instruction sheet and manual



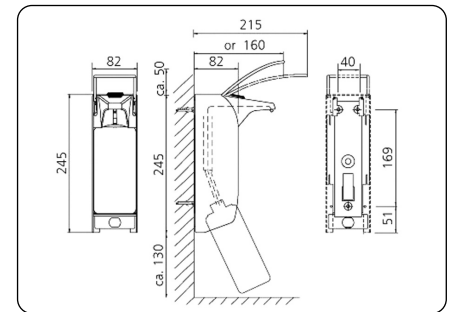
Eurodispenser 1 plus



Eurodispenser 1 plus signal colour red

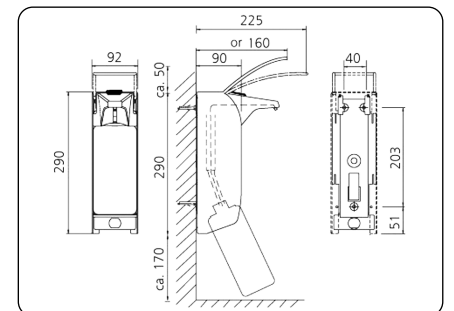
## Technical data

dispenser for 350/500 ml bottles



## Technical data

dispenser for 1000 ml bottles



# BODE Eurodispenser 1 plus Touchless

Sensor-controlled dispenser for hand hygiene products

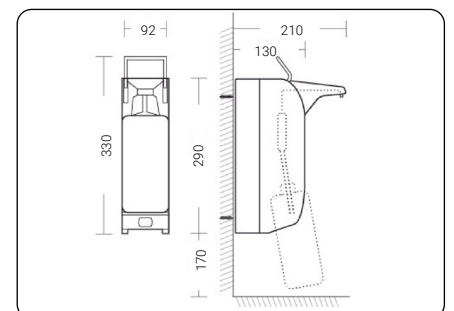
## Characteristics

- touchless application
- easy pump exchange (removal from the front)
- reliable, robust metal dispenser
- easy installation even with limited space
- compatible with all standard bottles
- simple and fast bottle exchange
- easy handling and cleaning
- dosing amount adjustable (approx. 0.75 to 1.5 ml per actuation)
- delivery includes batteries, mounting parts, instruction sheet and manual

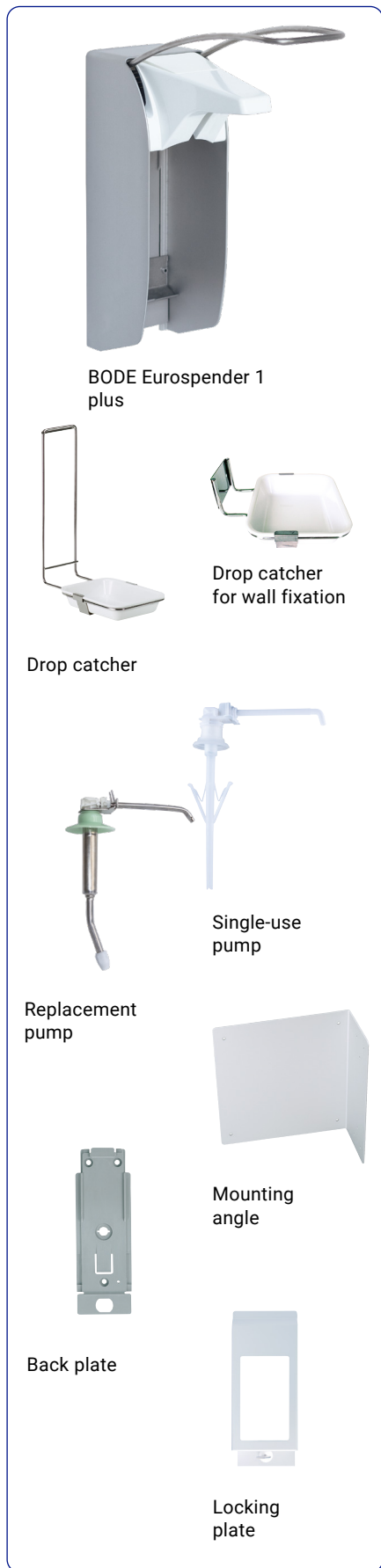


## Technical data

dispenser for 350/500/1000 ml bottles



# BODE Eurodispenser 1 plus



	Package size	Article number	Unit
<b>BODE Eurodispenser 1 plus for 350/500 ml bottles</b>			
with short arm lever (160 mm width/315 mm height)	1 piece	981 098	1
with long arm lever (215 mm width/295 mm height)	1 piece	975 570	1
<b>BODE Eurodispenser 1 plus for 1000 ml bottles</b>			
with short arm lever (160 mm width/360 mm height)	1 piece	981 099	1
with long arm lever (225 mm width/340 mm height)	1 piece	975 572 1	1
<b>BODE Eurodispenser 1 plus signal colour red</b>			
with long arm lever (215 mm width/295 mm height) for 350/500 ml bottles	1 piece	981 251	1
with long arm lever (225 mm width/340 mm height) for 1000 ml bottles	1 piece	981 252	1
<b>BODE Eurodispenser 1 plus Touchless</b>			
for 350/500 ml bottles	1 piece	981 227	1
for 1000 ml bottles	1 piece	981 234	1
<b>Spare parts and accessoires</b>			
<b>Drop catcher for Eurodispenser 1 plus</b>			
350/500 ml	1 piece	974 750	1
1000 ml	1 piece	974 760	1
<b>Drop catcher for Eurodispenser 1 plus touchless</b>			
350/500/1000 ml	1 piece	981 365	1
<b>Drop catcher for wall fixation</b>			
350/500/1000 ml*	1 piece	974 762	1
350/500/1000 ml short side against wall	1 piece	981 336	1
<b>Replacement bowl for drop catcher</b>			
350/500/1000 ml	1 piece	981 194	1
<b>Replacement pump for Eurodispenser 1 plus</b>			
350/500 ml	1 piece	975 575	1
1000 ml	1 piece	975 576	1
<b>Replacement pump for Eurodispenser 1 plus touchless</b>			
350/500 ml	1 piece	981 258	1
1000 ml	1 piece	981 249	1
<b>Single-use pump</b>			
350/500 ml	1 piece	981 681	1
1000 ml	1 piece	981 682	1
<b>Mounting angle**</b>			
350/500 ml	1 piece	974 870	1
1000 ml	1 piece	974 880	1
<b>Back plate**</b>			
350/500 ml	1 piece	826 420	1
1000 ml	1 piece	826 440	1
<b>Locking device*</b>			
350/500 ml	1 piece	975 577	1
1000 ml	1 piece	975 578	1

\* not suitable for Eurodispenser 1 plus Touchless  
 \*\* please use 1000 ml version for Eurodispenser 1 plus Touchless

# Eurodispenser Safety plus

Modern plastic dispenser for wall mounting for the use of hygienic single-use bottles and pumps with long nozzle, which makes time-consuming reprocessing obsolete.

## Characteristics

The Eurodispenser Safety plus is a user-friendly and innovative dispenser for wall mounting for the usage of hygienic single-use packaging. Advantages at a glance:

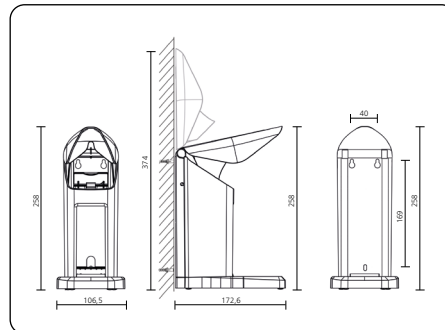
- suitable for BODE standard bottles (500 ml or 1000 ml) with single-use pumps with long nozzle
- also suitable for many competitors' euro bottles
- wide arm lever for easy and intuitive use

- integrated trick-lock to prevent product theft, without key (function not for all competitors' bottles given)
- integrated drip tray
- useable as table stand dispenser
- smooth surfaces and rounded edges for easy cleaning
- easy and fast installation by either screwing or adhesive solution
- simple and fast bottle exchange
- delivery incl. mounting parts, instruction manual



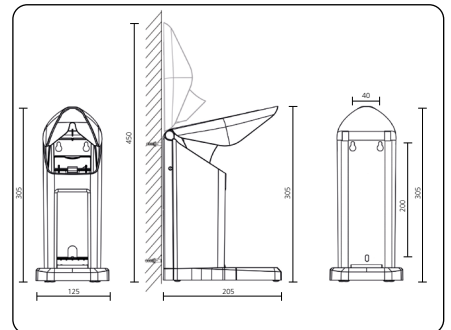
## Technical data

dispenser for 500 ml bottles



## Technical data

dispenser for 1000 ml bottles



	Package size	Article number	Unit
<b>Eurodispenser Safety plus</b>			
for 500 ml bottles	1 piece	981 467	1
for 1000 ml bottles	1 piece	981 468	1
<b>Single-use pump long nozzle</b>			
for 350/500 ml bottles	1 piece	981 602	200
for 1000 ml bottles	1 piece	981 603	200

\* Single-use pump not integrated in scope of delivery

# Eurodispenser RX5 Touchless

Hygienic and comfortable application with the touchless dispenser for disinfection and soaps.

## Characteristics

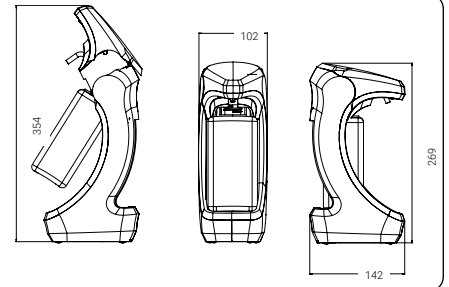
- particularly hygienic and convenient application due to the touchless product application
- slim and modern design
- multifunctional use as wall dispenser or free standing
- clean application through optional drop catcher
- application strokes adjustable between 1 - 3 strokes

- robust plastic housing
- universal use with 500 ml Euro bottles
- delivery incl. mounting parts, reusable pump instruction manual and batteries



## Technical data

- Battery: 4 x LR 14
- Voltage: 6 volt DC
- Conformity: RoHS compliant
- Dimensions in mm:
- W 102 x H 269 x D 142



	Package size	Article number	Unit
<b>Eurodispenser RX5 Touchless</b>			
for 500 ml bottles	1 piece	981 7300	1
<b>Replacement pump RX5 Touchless</b>			
for 500 ml bottles	1 piece	981 7310	1
<b>Drop catcher Eurodispenser RX5 Touchless</b>			
for 500 ml bottles	1 piece	981 7320	1

# CleanSafe System

High-quality upside-down dispenser system working with special designed collapsible 1000 ml bottles equipped with pre-mounted single-use pumps that make time consuming reprocessing of re-usable pumps redundant.

## Characteristics

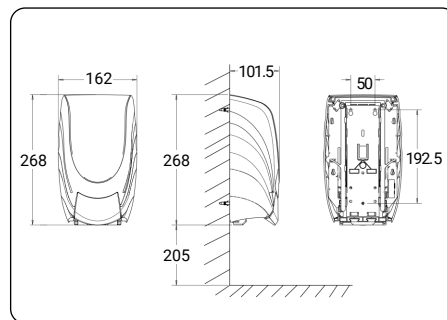
- reliable and user-friendly upside-down dispenser system made from plastic or stainless steel
- available in manual and touchless versions
- suitable only for 1000 ml CleanSafe collapsible bottles with pre-mounted single-use pumps
- easy and fast pump and bottle exchange
- accurate and safe dispensing due to product related pumps

- integrated locking device (key, plastic versions with removeable and permanent key)
- touchless dispenser with reliable infrared sensor technology, LED status light (battery status) and selector switch (1, 2 or 3 strokes per actuation)
- easy and fast installation by either screwing or adhesive solution (only plastic versions, adhesive pads are pre-mounted)
- delivery incl. mounting parts, instruction manual, touchless versions incl. batteries



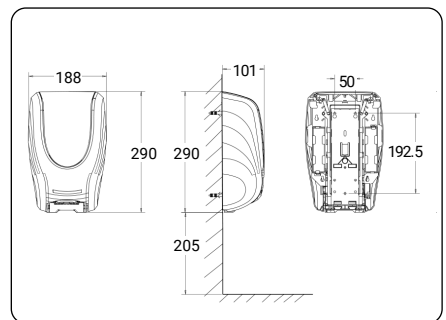
### Technical data

CleanSafe Basic for 1000 ml



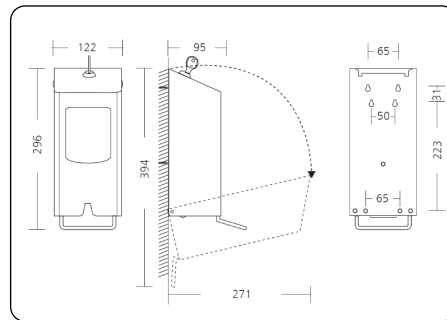
### Technical data

CleanSafe touchless for 1000 ml



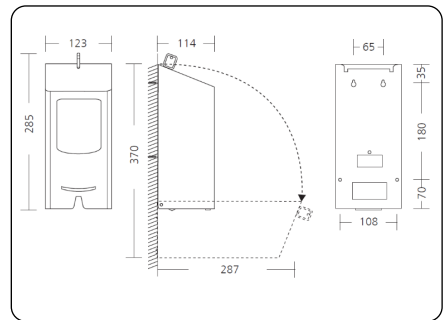
### Technical data

CleanSafe extra for 1000 ml



### Technical data

CleanSafe extra touchless for 1000 ml



	Package size	Article number	Unit
<b>CleanSafe touchless</b>	1 item	981 444	1
<b>CleanSafe basic</b>	1 item	981 445	1
<b>CleanSafe extra touchless</b>	1 item	981 446	1
<b>CleanSafe extra</b>	1 item	981 447	1
<b>Drop catcher CleanSafe</b> for CleanSafe touchless and basic	1 piece	981 609	1



# Eurodispenser 3 flex

Most flexible and robust stainless steel holder for usage directly at the point of care

## Characteristics

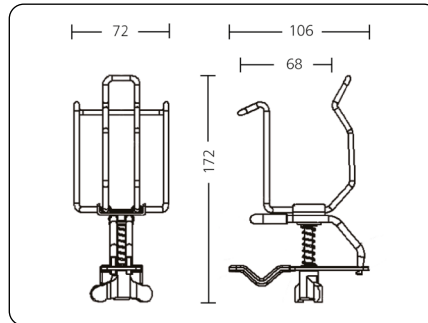
- reliable, robust dispenser made out of stainless steel
- multiple fastening options directly at the point of care without needing any accessories
- clamp can be turned by 360°
- clamp usable for flat surfaces (15 – 30 mm) and tubular frames (15 – 45 mm)
- clamp can be flexibly positioned at the back, at the bottom and at angled positions without removing it from the dispenser
- designed for 500 ml and 1000 ml BODE bottles, bottle is securely held in the dispenser
- bottle can be positioned either straight or tilted for a more convenient handling and easy application
- easy installation and repositioning without tools

- no damage on surfaces and maximum stability due to scratch protection
- easy cleaning and operation
- fast and easy bottle exchange
- dosing pumps separately available
- dispenser autoclavable



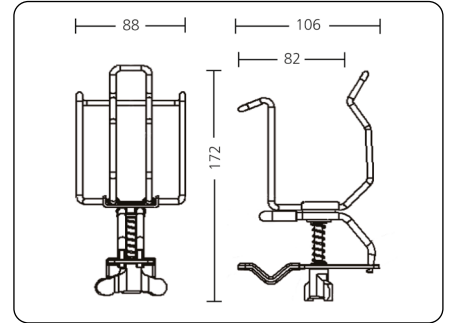
## Technical data

Dispenser for 500 ml bottles



## Technical data

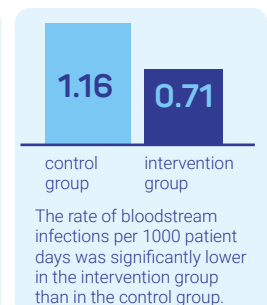
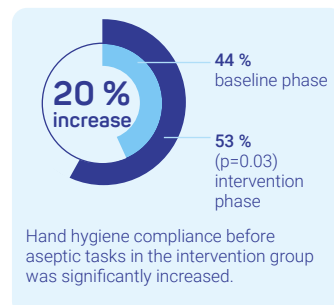
dispenser for 1000 ml bottles



	Package size	Article number	Unit
<b>Eurodispenser 3 flex</b>			
for 500 ml bottles	1 piece	981450	10
for 1000 ml bottles	1 piece	981460	10
<b>Drop catcher</b>			
for Eurodispenser 3 flex	1 piece	981 735	10
<b>Single-use pump long nozzle</b>			
for 350/500 ml bottles	1 piece	981 602	200
for 1000 ml bottles	1 piece	981 603	200
<b>Single-use pump short nozzle</b>			
for 350/500 ml bottles	1 piece	981 600	200
for 1000 ml bottles	1 piece	981 601	200

Single-use pump not integrated in scope of delivery

## Eurodispenser 3 flex increases hand hygiene compliance



The Eurodispenser 3 flex, HARTMANN SOPs and training videos were used as part of a multimodal intervention in a two-arm cluster-randomized study at the Charité.

Reference: Aghdassi S et al. (2020) ARIC 9:113.

Research for infection protection



HSB2\_002EN\_0521\_1

# BODE Eurodispenser 3

For the application of hand disinfectants, wash and skin care lotions

## Characteristics

- suitable for each 350/500 or 1000 ml BODE bottles
- robust metal construction
- easy installation and handling
- autoclavable
- delivery without bottle and pump

## Technical data

### BODE Eurodispenser 3 for 500 ml-bottles

(H x W x D without clip)  
straight clip 115 x 73 x 75 mm

### BODE Eurodispenser 3 for 1000 ml-bottles

(H x W x D without clip)  
angled clip 140 x 90 x 90 mm



	Package size	Article number	Unit
<b>BODE Eurodispenser 3 for 500 ml-bottles</b>			
straight clip	1 piece	975 100	10
<b>BODE Eurodispenser 3 for 1000 ml-bottles</b>			
angled clip	1 piece	981 088	10
<b>Drop catcher</b>			
for Eurodispenser 3	1 piece	981 735	10
<b>Single-use pump long nozzle</b>			
for 350/500 ml bottles	1 piece	981 602	200
for 1000 ml bottles	1 piece	981 603	200
<b>Single-use pump short nozzle</b>			
for 350/500 ml bottles	1 piece	981 600	200
for 1000 ml bottles	1 piece	981 601	200

Single-use pump not integrated in scope of delivery

# Wallholder PLUS

The space-saving and handy Wallholder Plus fits on every wall and ensures convenient use directly where you need it.

## Characteristics

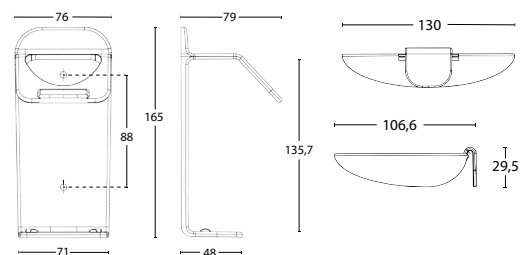
- made of sturdy plastic
- 350/500 ml BODE bottles
- can be used with single-use pumps with long and short nozzles
- can be mounted even with limited space
- easy and comfortable handling
- Easy and fast installation by either screwing or adhesive strips

- Delivery including mounting parts, adhesive pads, instruction manual
- drop catcher separately available

## Technical data

Dimensions in mm:  
W 76 x H 165 x D 79

Drop Catcher



	Package size	Article number	Unit
<b>Wallholder PLUS</b>			
for 350/500 ml bottles	1 piece	981 734	1
<b>Drop Catcher</b>			
for Wallholder PLUS	1 piece	981 735	10
<b>Single-use pump long nozzle</b>			
for 350/500 ml bottles	1 piece	981 602	200
<b>Single-use pump short nozzle</b>			
for 350/500 ml bottles	1 piece	981 600	200

Single-use pump not integrated in scope of delivery

# BODE Wallholder

For the application of hand disinfectants, wash- and skin care lotions and Bacillol® Tissues container.

## Characteristics

- suitable for 500 ml or 1000 ml BODE bottle or for Bacillol® Tissues container
- made of solid, sturdy plastic
- simple installation and cleaning
- delivery includes mounting parts, instruction sheet
- easy to mount by screws or tapes on smooth surfaces
- delivery without bottle and pump
- not autoclavable

## Technical data

**BODE Wall-mounted Rack for 500 ml bottles**  
W x H x D 107 x 72 x 81 mm

**BODE Wandhalter für 1000 ml-Flaschen**  
W x H x D 134.5 x 91.7 x 92.7 mm



	Package size	Article number	Unit
<b>BODE Wallholder Rack</b> for 500 ml bottles	1 piece	974 730	2
<b>BODE Wallholder 1000</b> for 1000 ml bottles and containers	1 piece	974 740	2
<b>Single-use pump long nozzle</b> for 350/500 ml bottles	1 piece	981 602	200
or 1000 ml bottles	1 piece	981 603	200
<b>Single-use pump short nozzle</b> for 350/500 ml bottles	1 piece	981 600	200
for 1000 ml bottles	1 piece	981 601	200

Single-use pump not integrated in scope of delivery

# BODE Eurodispenser 2

For application of hand disinfectants suitable for 500 ml or 1000 ml BODE bottles

## Characteristics

- robust metal construction
- simple, space saving installation
- dispenser autoclavable
- integrated arm lever for hygienic product application
- suitable for single-use pump with short and long nozzle
- delivery without pump
- long-lasting
- easy handling and cleaning

## Technical data

**Dispenser for 500 ml bottles**  
(W x H x D (incl. Arm lever))  
200 x 90 x 240 mm

**Dispenser for 1000 ml bottles**  
(W x H x D (incl. Arm lever))  
250 x 95 x 250 mm



	Package size	Article number	Unit
<b>BODE Eurodispenser 2</b> for 500 ml bottles	1 piece	975 300	1
for 1000 ml bottles	1 piece	974 770	1
<b>Single-use pump long nozzle</b> for 350/500 ml bottles	1 piece	981 602	200
or 1000 ml bottles	1 piece	981 603	200
<b>Single-use pump short nozzle</b> for 350/500 ml bottles	1 piece	981 600	200
for 1000 ml bottles	1 piece	981 601	200

Single-use pump not integrated in scope of delivery

# Hygiene Tower

## Floor-standing column for hand disinfectant dispensers

### Characteristics

- for all areas where it is not possible or very difficult to install a wall dispenser, or where a dispenser is only needed temporarily
- suitable for different dispenser systems\*
- robust and tilt-resistant design ensures a smooth and safe operation
- easy to install – through existing drill holes
- powder-coated, closed surfaces for easy cleaning
- thanks to the textured surface,

- slight disinfectant drip strains are virtually invisible
- premounted edge protection
- mounted leaflet and wheels separately available
- standard version with 4 premounted rubber feet

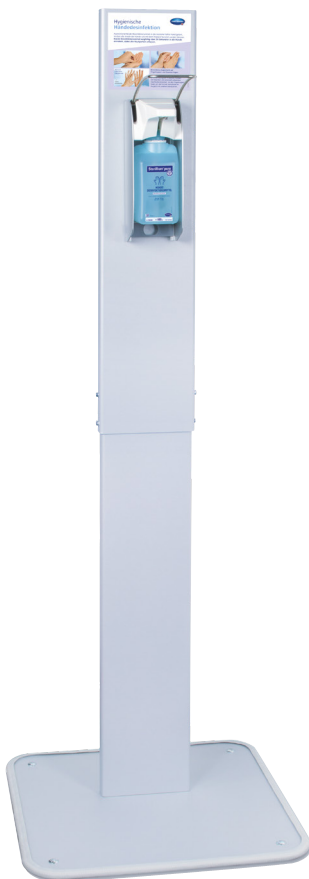


### Technical data

#### Measurements Hygiene Tower:

Foot	45 cm x 45 cm
Overall height	140 cm
Weight	14.5 kg

\* BODE Eurodispenser 1 plus, BODE Eurodispenser 1 plus touchless, Eurodispenser RX5 Touchless, CleanSafe



	Package size	Article number	Unit
<b>Hygiene-Tower</b>	1 piece	981 076	1
<b>Leaflet holder for Hygiene Tower</b>	1 piece	981 080	1
<b>Tente-wheels for Hygiene Tower</b>	1 piece	981 393	1



#### Leaflet holder

(stainless steel, mate powder-coated; window made of acrylic glass; Dimensions: ca. 365 x 245 X 40 mm)



#### Tente-wheels

(Set of 4 wheels; 2 wheels with braking device)

# Dispenser Tower

Support infection prevention in public areas. The Dispenser Tower with foot pedal allows for a hands-free application.

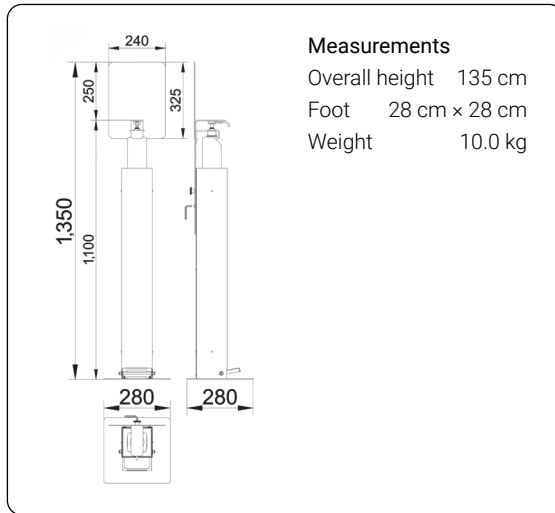
## Characteristics

- convenient product application
- hands-free application principle
- robust material – perfect for public use
- easy handling – no reprocessing of pump/dispenser required
- slim and modern design for space-saving use
- anti-theft protection
- easy bottle change
- suitable for 500 ml and 1000 ml BODE bottles

Stand-alone unit;  
NO power supply needed



## Technical data



	Package size	Article number	Unit
<b>Dispenser Tower</b>			
for 500/1000 ml bottles		981 780	1
<b>Single-use pump short nozzle</b>			
for 350/500 ml bottles		981 600	200
for 1000 ml bottles		981 601	200
<b>Single-use pump long nozzle</b>			
for 350/500 ml bottles		981 602	200
for 1000 ml bottles		981 603	200

Single-use pump not integrated in scope of delivery

# BODE single-use pump

For the convenient product application from original BODE bottles



	Package size	Article number	Unit
<b>Single-use pump short nozzle</b>			
for 350/500 ml bottles	1 piece	981 600	200
for 1000 ml bottles	1 piece	981 601	200
<b>Single-use pump long nozzle</b>			
for 350/500 ml bottles	1 piece	981 602	200
for 1000 ml bottles	1 piece	981 603	200

*Use disinfectants safely. Always read the label and product information before use.*



Helps. Cares. Protects.

PAUL HARTMANN AG  
Paul-Hartmann-Straße 12  
89522 Heidenheim  
Germany

Phone: +49-7321-36-0  
Fax: +49-7321-36-3636  
info@hartmann.info  
www.hartmann.info